

TMK240

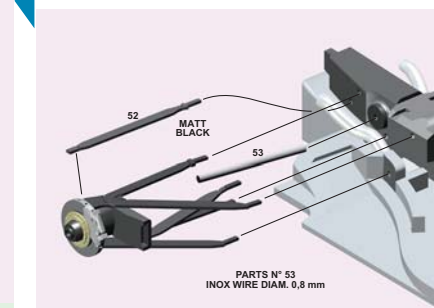
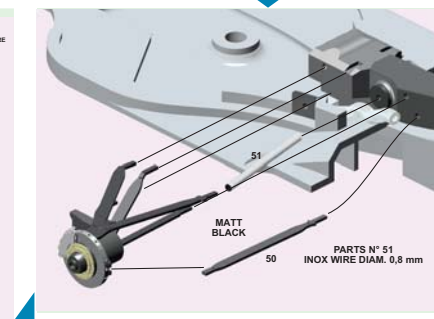
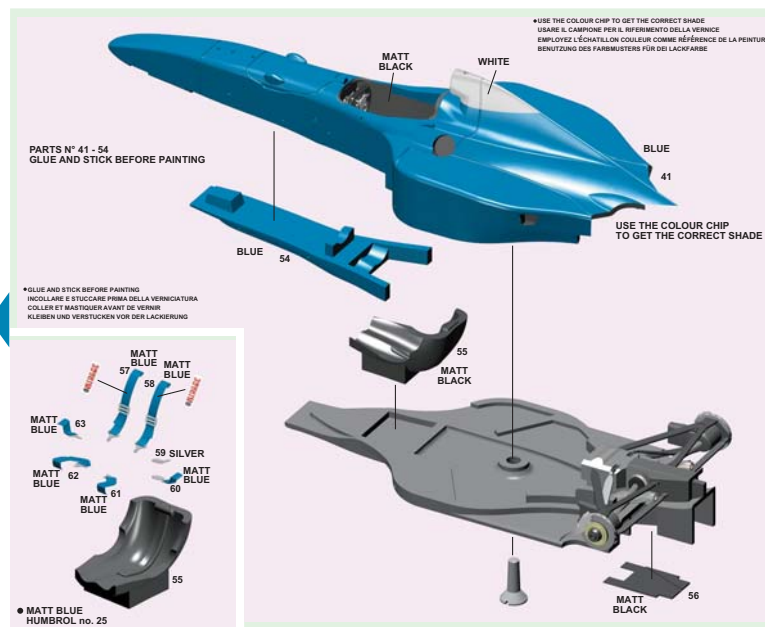
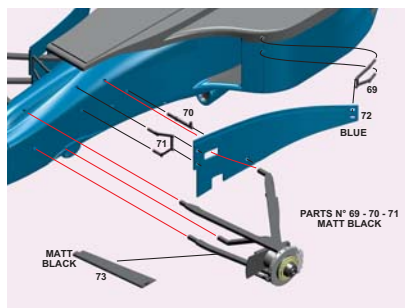
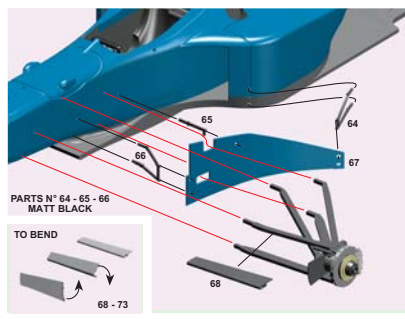
WILLIAMS RENAULT FW19

BRAZILIAN G.P. 1997

Manufactured under licence from
"WILLIAMS GRAND PRIX ENGINEERING"

Photos by Photo4

This kits is produced without any reference to tobacco brand names due to legal restrictions regarding advertising. Questo kit è prodotto senza alcun riferimento a marchi di tabacco a causa delle vigenti restrizioni in materia pubblicitaria. Cette maquette est produite sans référence du nom du tabac à cause de disposition de la loi en cette matière.




TAMEO KITS srl
Viale C.Colombo, 36-38
17022 BORGIO VEREZZI SV ITALY
Tel. 39 019 - 615.250 Fax. 39 019 - 615.310
website www.tameokits.com
e-mail sales@tameokits.com
e-mail technical@tameokits.com

Made in Italy. Collector 1/43 Scale Models. Vietata la vendita ai minori di 14 anni. Noivo per ingestione. Conservare fuori dalla portata dei bambini. Tameo Kits declina ogni responsabilità per un uso improprio del prodotto.
Made in Italy. Collector 1/43 Scale Models. Not for sale to persons under 14 years of age. Dangerous if swallowed. Keep out of reach of children. Tameo Kits not held responsible for any damage or injury resulting from improper use of the product.
Made in Italy. Collector 1/43 Scale Models. Vente interdite aux enfants de moins de 14 ans. Dangereux si avalé. Conserver hors de la portée des enfants. Tameo Kits décline toute responsabilité dans le cas de dommages dérivés de l'usage non approprié du produit.
Made in Italy. Collector 1/43 Scale Models. Verkauf an jugendliche unter 14 Jahren verboten. Schädlich bei Einnahme. Von Kindern fernhalten. Tameo Kits lehnt jede Verantwortung bei unkorrektem Gebrauch seines Produktes ab.

BRAZILIAN G.P. 1997

 3 - Jacques Villeneuve 1st.

 4 - Heinz-Harald Frentzen 9th.

